

# CDS25

## CHAIN DRIVEN LIVE ROLLER CONVEYOR (2 1/2 in. dia. x 11 ga. rollers)

The CDS25 and CDS26 chain driven live roller is ideal for carrying heavier loads such as loaded pallets and drums. Roll-to-roll chain driven rollers also make it ideal for oily conditions.



- Roller-to-roller chain drive
- 15 widths
- Reversible

		CONVEYOR WEIGHT (LBS.)														
		CONVEYING SURFACE WIDTH (CSW)														
		15 3/4"	17 3/4"	19 3/4"	21 3/4"	23 3/4"	27 3/4"	29 3/4"	33 3/4"	35 3/4"	39 3/4"	43 3/4"	47 3/4"	51 3/4"	57 3/4"	63 3/4"
		BETWEEN FRAME WIDTH														
		19 3/4"	21 3/4"	23 3/4"	25 3/4"	27 3/4"	31 3/4"	33 3/4"	37 3/4"	39 3/4"	43 3/4"	47 3/4"	51 3/4"	55 3/4"	61 3/4"	67 3/4"
		OVERALL WIDTH														
CHAIN		23 1/4"	25 1/4"	27 1/4"	29 1/4"	31 1/4"	35 1/4"	37 1/4"	41 1/4"	43 1/4"	47 1/4"	51 1/4"	55 1/4"	59 1/4"	65 1/4"	71 1/4"
4" CENTERS - 10' LENGTH*	NO. 40 CHAIN	752	790	831	869	907	986	1024	1104	1142	1221	1297	1409	1488	1608	1729
	PER FOOT	64	67	71	75	79	86	90	96	100	108	115	123	130	141	152
5" CENTERS - 10' LENGTH	NO. 50 CHAIN	695	726	759	790	821	885	916	980	1011	1072	1137	1234	1298	1397	1495
	PER FOOT	57.6	60.6	63.8	66.8	69.8	76	79	85.2	88.2	94.2	100.2	108.2	114.2	123.6	133
6" CENTERS - 10' LENGTH	NO. 60 CHAIN	673	699	725	753	779	831	859	911	939	991	1045	1131	1188	1271	1353
	PER FOOT	54	56	59	61	64	69	71	76	79	84	89	94	98	106	113
7 1/2" CENTERS - 10' LENGTH	NO. 60 CHAIN	610	631	652	675	696	739	762	804	827	869	914	990	1036	1105	1173
	PER FOOT	49	51.2	53.2	55.4	57.4	61.4	63.6	67.6	69.8	74	78	83.8	88.2	94.6	100.8

### STANDARD SPECIFICATIONS

**BED** – 6 in. x 8.2 lb. structural steel channel frame on drive side. 4 in. x 5.4 lb. structural steel channel frame on idler side. Powder coated. 2 1/2 in. dia. x 11 ga. unplated tread rollers spaced on 4 in., 5 in., 6 in. or 7 1/2 in. centers. Rollers are above the frame on idler side.

**CENTER DRIVE** – Underhung drive with outboard chain guard

**ROLLER-TO-ROLLER CHAIN** – See chart

**DRIVE CHAIN** – No. 60 chain

**CHAIN GUARD** – Formed steel upper and lower chain guard mounted to drive side channel frame to totally enclose drive chains

**BEARINGS** – Sealed, pre-lubricated, ball bearings

**SPEED REDUCTION** – Sealed worm gear C-face speed reducer

**MOTOR** – 1 HP – 230/460V – 3 phase – 60 Hz totally enclosed fan cooled, energy efficient

**CONVEYING SPEED** – Constant 30 FPM

**FRAME CAPACITY** – Maximum load per linear foot of conveyor is 300 lbs. with supports on 10 ft. centers, 1000 lbs with supports on 5 ft. centers. Not to exceed drive capacity in chart.

### LOAD CAPACITY CHART (LBS.)

FPM	HP	CONVEYING SURFACE WIDTH	OVERALL LENGTH		
			25'	50'	75'
15	1	15 3/4" - 29 3/4"	8000†	12000*	11500*
		33 3/4" - 63 3/4"	8000†	11000*	9750*
	2	15 3/4" - 29 3/4"	8000†	12000*	11500*
		33 3/4" - 63 3/4"	8000†	11000*	9750*
30	1	15 3/4" - 29 3/4"	8000†	12000*	11500*
		33 3/4" - 63 3/4"	8000†	11000*	9750*
	2	15 3/4" - 29 3/4"	8000†	12000*	11500*
		33 3/4" - 63 3/4"	8000†	11000*	9750*
45	1	15 3/4" - 29 3/4"	7500	7000	6250
		33 3/4" - 63 3/4"	7000	6000	4750
	2	15 3/4" - 29 3/4"	8000†	10500*	9750*
		33 3/4" - 63 3/4"	8000†	9250*	8250*

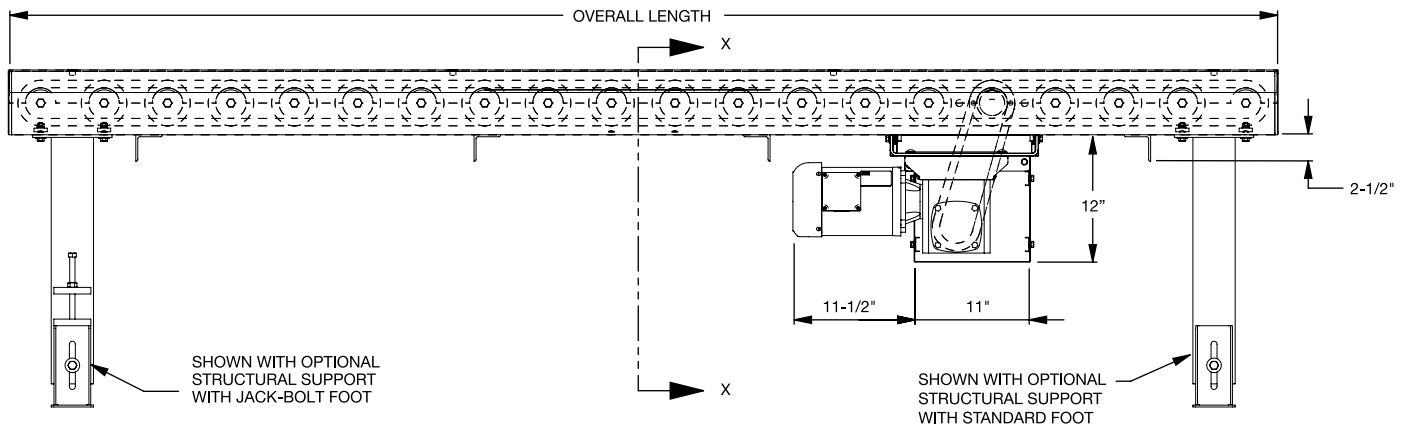
Based on 5 in. roller centers, no. 50 chain and supports on 10 ft. centers

\* Chain is limiting factor

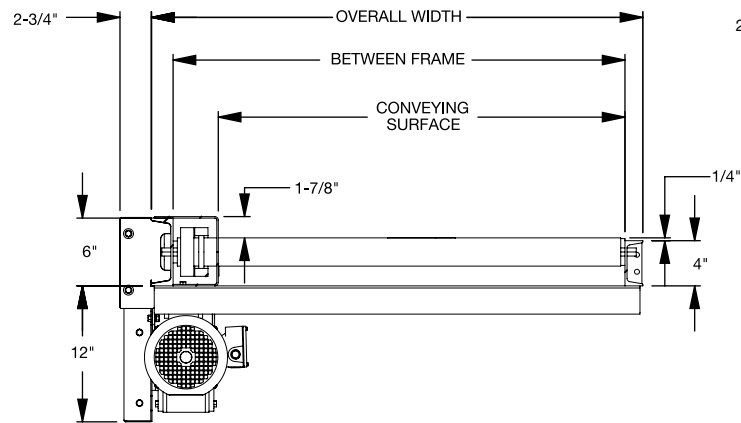
† Frame is limiting factor

Note: Capacities shown assume a constant speed and maximum of 6 starts/stops per minute with no more than 30 starts/stops per hour.

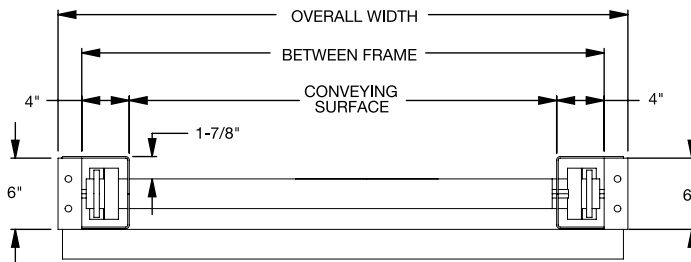
### SECTION VIEW A-A



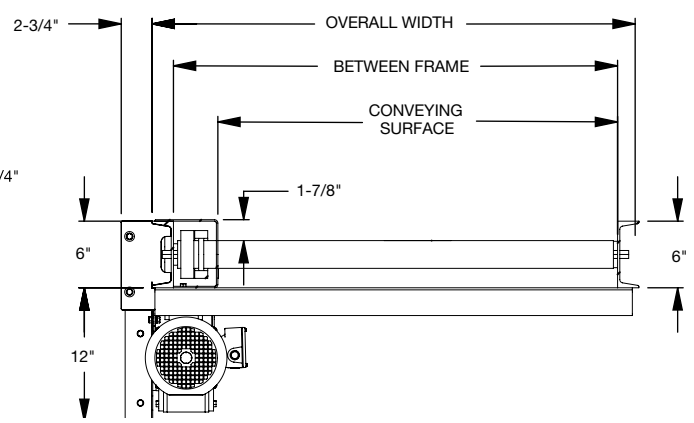
### SECTION VIEW X-X (ROLL HIGH/LOW)



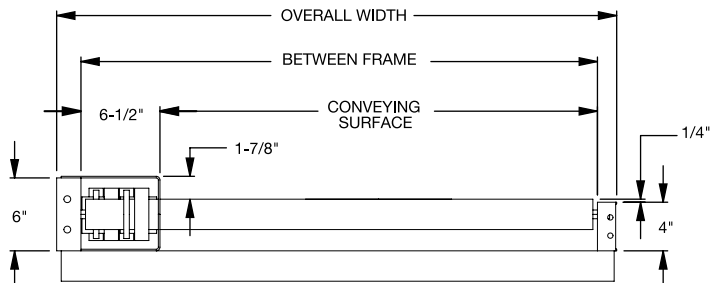
### 3 IN. ROLLER CENTERS



### ROLLERS LOW BOTH SIDES OPTION



### 3 3/4 IN. ROLLER CENTERS



## OPTIONAL EQUIPMENT

**FLOOR SUPPORTS** – 4 in. x 5.4 lb. structural channel floor supports are available in a wide range of adjustments. Specify top of roller elevation. One support is required at every bed joint and at ends of conveyor. Holes in feet are provided for lagging to floor. Knee braces supplied above 36 in. top of roller. Floor supports are also available with jack-bolt adjustment.

**CONVEYING SPEEDS** – Other constant and variable speeds available from 15-75 FPM in any increment. Contact factory for speeds outside this range.

**MOTORS** – Inverter duty, premium energy efficient, single phase, brake motor, other characteristics. 2 HP maximum.

**DRIVE VARIATIONS** – Side mount high or low drives

**ROLLERS** – 2 9/16 in. dia. x .180 wall unplated rollers (Model CDS26)

**ROLLERS SET LOW** – 6 in. x 8.2 lb. structural steel channel frame on drive side and idler side

### OTHER ROLLER CENTERS

#### 3 in. roller centers powered both sides

- 6 in. x 8.2 lb. structural steel channel frame both side (rollers set low)
- BF = Conveying surface width + 8 in.
- Overall width = Conveying surface width + 12 in.

#### 3 3/4 in. roller centers

- 6 in. x 8.2 lb. structural steel channel frame on drive side
- 4 in. x 5.4 lb. structural steel channel frame on idler side
- BF = Conveying surface width + 6 1/2 in.
- Overall width = Conveying surface width + 10 1/8 in.

**OTHER ACCESSORIES** – Poly-tier supports, ceiling hangers

**CHANNEL END STOP** – 6 in. x 8.2 lb. structural channel end stop

**CHAIN CROSS-OVER** – Transfers power from one side to the other

**TRANSFERS** – Right angle chain transfers available

**ELECTRICAL CONTROLS** – One direction manual start switch, reversing drum switch, non-reversing and reversible starters and push button stations. AC variable frequency drive.