

LSC19



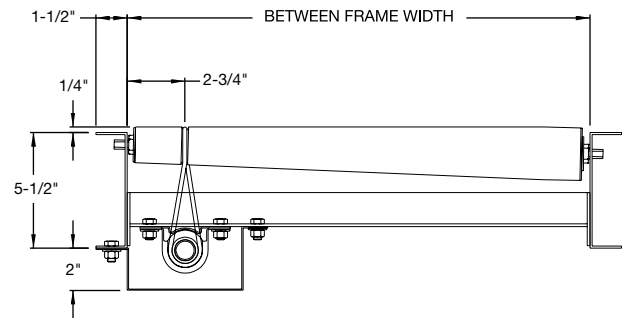
LINESHAFT DRIVEN LIVE ROLLER CURVE

The LSC19 live roller curves are compatible with straight sections and spurs providing flexibility to your conveyor line. They are slave driven from an adjacent lineshaft conveyor straight section.

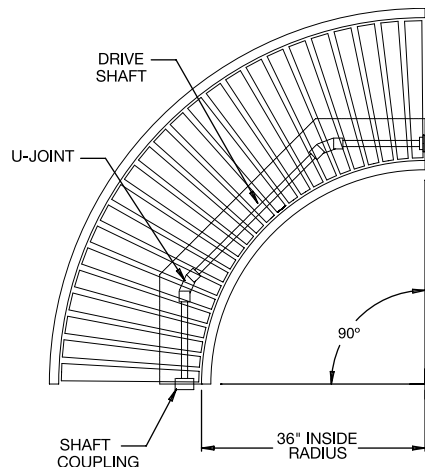
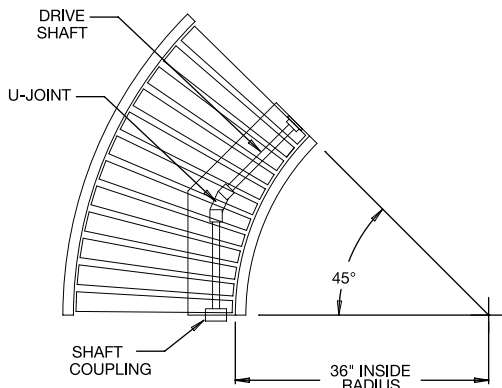
- 12 widths
- Tapered tread rollers
- 30, 45, 60, and 90 degree curves



BETWEEN FRAME WIDTH	OVERALL FRAME WIDTH	INSIDE RADIUS	ROLLERS "PER 90° CURVE"	WEIGHT (LBS.)			
				30°	45°	60°	90°
13"	16"	36"	24 Tapered Rollers	126	89	121	194
15"	18"			132	93	127	203
17"	20"			140	99	136	214
19"	22"			146	104	142	223
21"	24"			152	108	148	233
23"	26"			158	113	155	242
25"	28"			164	117	161	251
27"	30"			170	122	168	260
31"	34"			183	131	181	279
33"	36"			182	136	187	288
37"	40"			195	145	200	306
39"	42"			201	150	206	315



PLAN VIEW - 30° AND 45° STRAIGHT SPURS



30° and 60° curves are also available. 30° curves have 12" tangent section on both ends.

STANDARD SPECIFICATIONS

BED - 5 1/2 in. deep x 1 1/2 in. flange x 12 ga. powder coated steel channel frame with 2-1/2 in. dia. tapered to 1-11/16 in. dia. x 14 ga. galvanized rollers. 1.9 in. dia. x 16 ga. galvanized rollers provided in tangent sections.

CURVES - 30, 45, 60 and 90 degree curves with 36 in. radius

COUPLINGS - Butt type for connecting to other lineshaft conveyor sections

SLAVE DRIVEN - Spurs are slave driven from the drive shaft of adjacent lineshaft conveyor section. Shafts are coupled together by a Delrin chain coupling at the bed joints.

DRIVE SHAFT - 1 in. dia. steel shaft with universal joints as necessary

DRIVE SPOOLS - 2 in. dia. Delrin spool held in place on shaft by "snap-on" retaining clips

DRIVE BELTS - 3/16 in. dia. urethane belts from drive spools to rollers

SPOOL GUARD - Encloses underside of drive shaft, spools and drive belts

BEARINGS - Sealed, self-aligning, pre-lubricated ball bearings support drive shaft

CAPACITY - Maximum of 15 lbs. per roller. Do not exceed a 75 lb. total product load.

OPTIONAL EQUIPMENT

FLOOR SUPPORTS - H-style floor supports are available with a wide range of adjustments. Specify top of roller elevation. For curves, one support is required at each end along with one single support at the center. For spurs, one support is required at bed joint. Holes in feet are provided for lagging to floor. Knee braces supplied on MHST-9 support and above.

DRIVE - Drive units can be mounted to curves rather than being slave driven

TANGENTS - Short straight section on one or both ends of curve

GUIDE RAILS - Adjustable channel guide rails, fixed angle, and channel guide rails. One or both sides. Note: If product contacts guide rails, product flow may be affected.

OTHER ACCESSORIES - Poly-tier supports, ceiling hangers, plow arm, traffic cop, turning wheel