

## BELT CURVE

The BSC belt curve is ideal for transporting products of various sizes and shapes. It helps maintain proper product orientation and positive traction through the curve.

- 8 conveying widths
- Quiet and low maintenance belt guiding system
- 45, 90, and 180 degree curves



OR OUTSIDE RADIUS	CONVEYING WIDTH	IR INSIDE RADIUS	CR CENTER LINE RADIUS	F BOTTOM OF FRAME TO TOB	H FRAME HEIGHT	J GAP (APPROX.)			PULLEY SHAFT SIZE	MAX. DISTRIB. LIVE LOAD (LBS)	WEIGHT (LBS.)		
						MIN.	MAX.	NORM.			45°	90°	180°
48"	12"	36"	42"	9 1/16"	10 15/16"	3 5/8"	5 1/8"	4"	1"	400	169	337	674
	18"	30"	39"			3 1/4"	4 3/4"	3 5/8"			187	374	748
	20"	28"	38"			3 1/4"	4 5/8"	3 5/8"			191	381	762
	24"	24"	36"			3"	4 3/8"	3 3/8"			200	399	798
60"	24"	36"	48"	10 9/16"	12 3/8"	4 1/8"	5 7/8"	4 9/16"	1 3/16"	600	261	521	1,042
	30"	30"	45"			3 7/8"	5 7/8"	4 3/8"			278	556	1,112
	36"	24"	42"			3 5/8"	5 1/8"	4"			294	587	1,174
72"	36"	36"	54"	12"	13 7/8"	4 1/4"	6 5/8"	4 7/8"	1 7/16"	700	379	757	1,514
	42"	30"	51"			4"	6 1/4"	4 5/8"			398	795	1,590
	48"	24"	48"			3 3/4"	5 7/8"	4 1/4"			414	828	1,656

## STANDARD SPECIFICATIONS

**BELT** - Black Trackmate 120 EMB

**BED** - 10 ga. steel frame and slider bed pan. Welded construction.

**CURVES** - 45, 90 and 180 degree curves. Radius is dependent upon conveying width (see chart).

**DRIVE AND TAIL PULLEYS** - Tapered pulley with ruff-top lagging

**BEARINGS** - Sealed, pre-lubricated, self-aligning ball bearings on drive and tail pulleys.

**BELT GUIDING SYSTEM** - Belt is mechanically guided at outside rail with wheel. These wheels provide quiet operation, minimal friction and require virtually no maintenance.

**BELT SPEED** - Constant 65 FPM at belt centerline

**SPEED REDUCTION** - Sealed worm gear shaft mounted speed reducer

**MOTOR** - 3/4 HP - 230/460 V - 3 phase - 60 Hz. - totally enclosed fan cooled, energy efficient

**CAPACITY** - See chart

## OPTIONAL EQUIPMENT

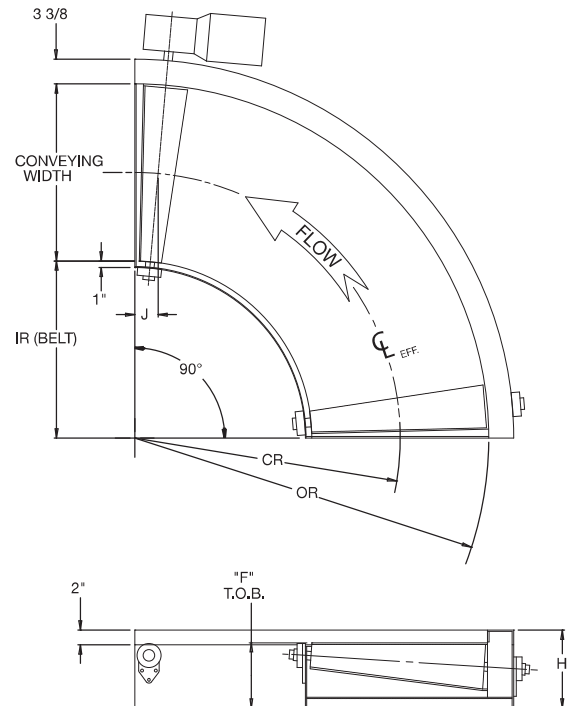
**FLOOR SUPPORTS** - H-style floor supports are available with +/- 2 in. adjustment. Specify top of belt elevation. One support is required at each end along with one single support at the center. Holes in feet are provided for lagging to floor.

**BELT** - Tan Glidetop, White Polymate 100 RMP - COS, Black Trackmate 533 COS-PVC

**BELT SPEED** - Other constant and variable speeds up to 300 FPM. Note: Capacity is affected with speed range.

**OTHER ACCESSORIES** - Guide rails, ceiling hangers

**ELECTRICAL CONTROLS** - Non-reversing and reversible IEC starters and push button stations, AC variable frequency drive



FPM	HP	OR OUTSIDE RADIUS	CONVEYING WIDTH	LOAD CAPACITY		
				45°	90°	180°
65	3/4	48"	12"-24"	380	360	310
		60"	24"-36"	310	280	190
		72"	36"-48"	200	190	150
	1	48"	12"-24"	400*	400*	400*
		60"	24"-36"	540	510	430
		72"	36"-48"	430	390	270
	2	48"	12"-24"	400*	400*	400*
		60"	24"-36"	600*	600*	600*
		72"	36"-48"	700*	700*	700*

\* Maximum distributed live load for curve

Contact factory for drive capacity at other speeds

Note: Capacities shown assume a constant speed and maximum of 6 starts/stops per minute with no more than 30 starts/stops per hour.