

FMSS19T

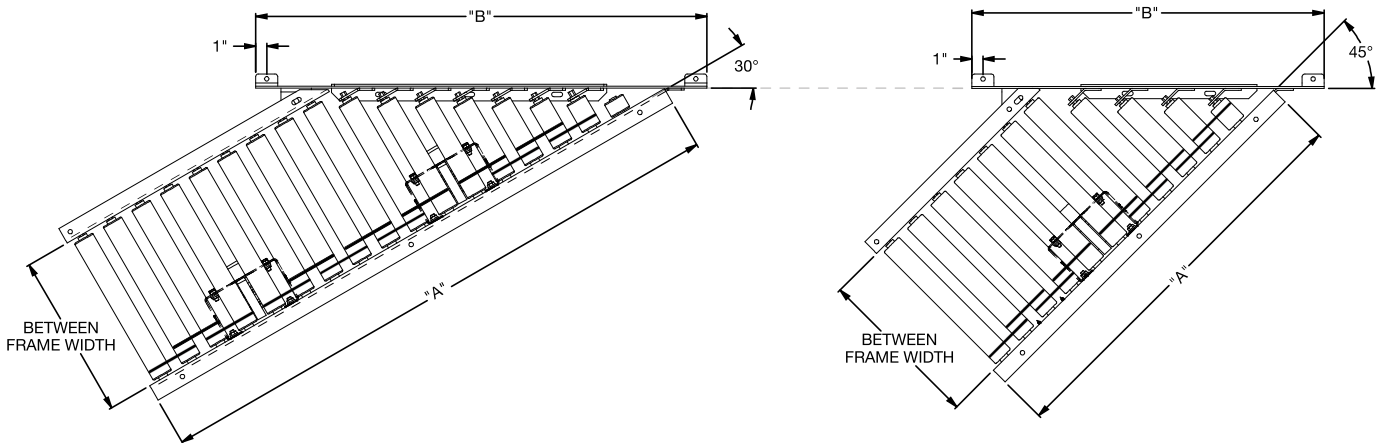
FLAT MOTOR STRAIGHT SPUR (1.9 in. dia. x 16 ga. rollers)

The Model FMSS19T straight spurs are used to transfer product from one conveying line onto another and are suitable for merging or diverging applications.

- 12 widths
- 24 VDC motors
- 30 and 45 degree straight spurs

BETWEEN FRAME WIDTH	OVERALL FRAME WIDTH	NUMBER OF MOTORS		"A"		"B"		WEIGHT (LBS.)			
		30°	45°	30°	45°	30°	45°	30°	45°		
13"	16"	1	1	30"	21"	38"	29"	224	177		
15"	18"	2		54"	36"	41"	32"	233	184		
17"	20"					47"	35"	241	191		
19"	22"					50"	38"	249	198		
21"	24"					53"	41"	256	204		
23"	26"					56"	44"	262	210		
25"	28"					62"	47"	272	219		
27"	30"					65"	50"	278	225		
31"	34"					75"	48"	74"	56"	290	237
33"	36"							77"	59"	296	242
37"	40"							86"	65"	306	253
39"	42"	89"		68"	310			256			

PLAN VIEW - 30° AND 45° STRAIGHT SPURS



STANDARD SPECIFICATIONS

BED – 6 1/2 in. deep x 1 1/2 in. flange x 12 ga. powder coated steel channel with 1.9 in. dia. x 16 ga. galvanized tread rollers spaced on 3 in. centers.

SPURS – 30 and 45 degree spurs

MOTOR – 24 VDC flat motor(s) mounted on inside of conveyor frame

MOTOR DRIVER CARD – One required for each motor

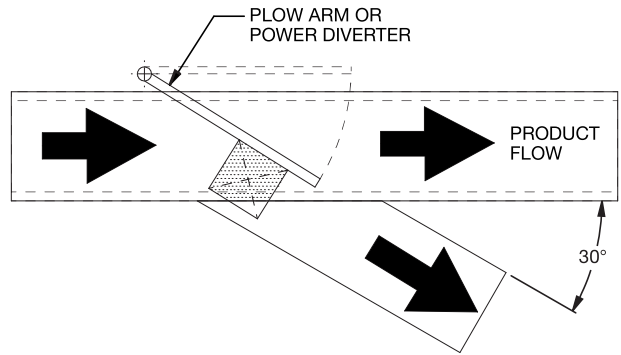
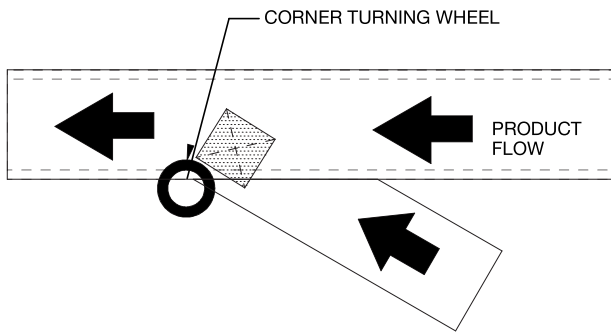
DRIVE/SLAVE BELTS – 3/16 in. dia. urethane belts from motor drive spool to rollers and roller to roller

POWER SUPPLY – Not included. Typically powered from straight sections power supply.

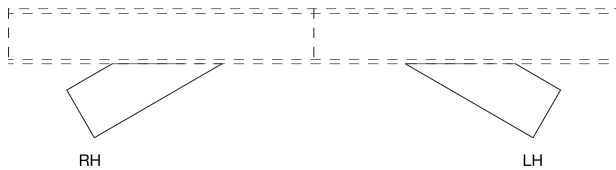
BEARINGS – Sealed, pre-lubricated, self-aligning, ball bearings on drive and tail pulleys. Grease packed ball bearings in tread and pressure rollers.

CONVEYING SPEED – 50-174 FPM. Selectable on motor drive card.

CAPACITY – 75 lbs.



SPUR FLOW (SPECIFY)



OPTIONAL EQUIPMENT

FLOOR SUPPORTS – SMS Type floor supports are available with a wide range of adjustment. Specify top of belt or roller elevation. One support required at every bed joint and ends of conveyor. Holes in feet for lagging to floor. Knee braces included on SMS-7 support and above.

POWER SUPPLY – 5 AMP power supply is available for stand-alone curves (3 motors maximum)

GUIDE RAILS – Adjustable channel guide rail and fixed angle guide rails. Note: If product comes into contact with guide rails, product flow may be affected.

OTHER ACCESSORIES – Poly-tier supports, ceiling hangers. See accessory section.